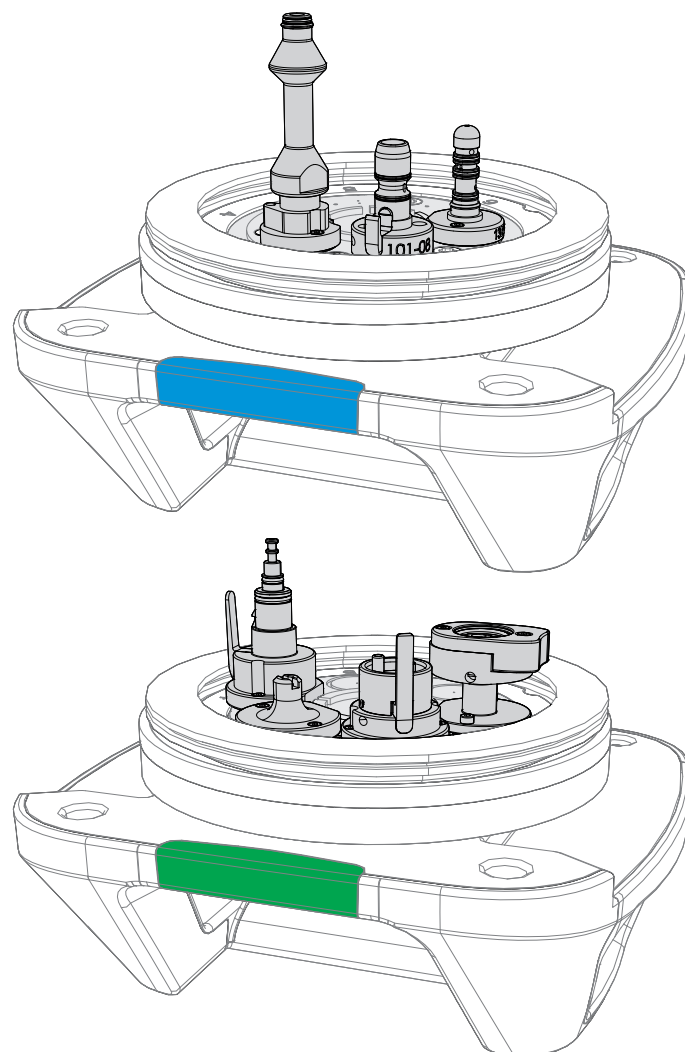


# Adapters for DAC Universal

Touch / Touch S

Instructions for use

English



## 4 Overview of the individual adapters

### 4.1 Overview of the individual adapters of the Blue lid / Pink lid

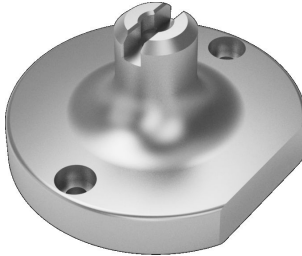


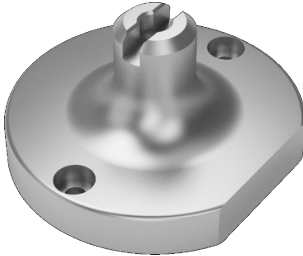
Not available in all countries.

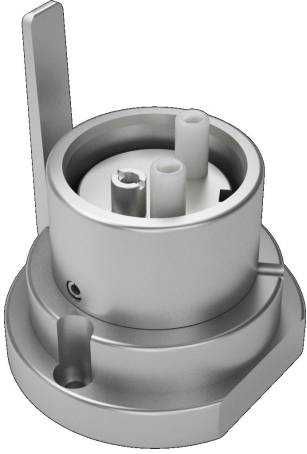
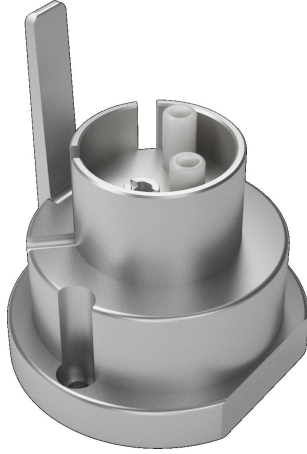
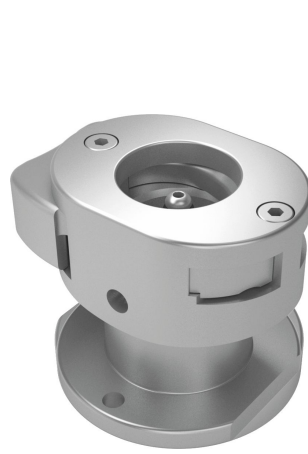
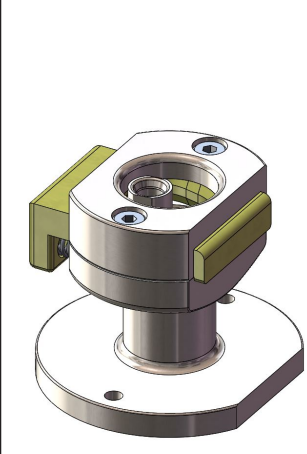



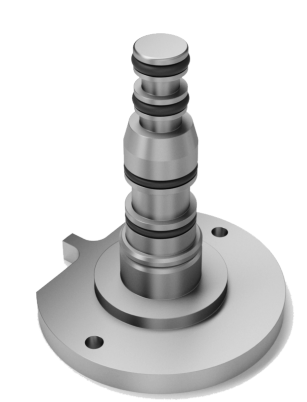
Adapters for turbines			
Bien-Air Unifix adapter 6051713	Castellini adapter 6051762	Borden 2/3-hole adapter 6051861	Midwest 4/5-hole adapter 6051853
KaVo MULTIflex adapter 6051655	Morita PAR-DI adapter (adapter Morita Alpha) 6051911	Morita CP4 adapter 6051929	NSK QD adapter 6051812

Adapters for turbines			
Osada OFJ-MZL adapter 6085745	Dentsply Sirona Quick Coupling adapter 6051697	W&H Roto Quick adapter 6051671	Yoshida adapter 6323831
			
NSK Phatelus adapter 6051804			
			

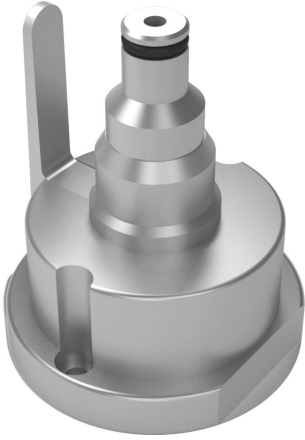

Straight / contra-angle handpiece adapters			
ISO/INTRAmatic & OSADA HL-C adapter 6051648	KaVo/Bien-Air contra-angle handpiece head adapter 6051663	Dentsply Sirona TE/Classic Adapter Touch 6686682	
			

## 4.2 Overview of the individual adapters of the Green lid / White lid

Adapters for ultrasonic/sonic tips			
Sirona ultrasonic tip adapter 6536127	EMS ultrasonic tips adapter 6610708	Satelec ultrasonic tips adapter 6610716	KaVo SONICflex 2003 ultrasonic tip adapter 6735539
			

Adapters for ultrasonic handpieces			
Sirona SiroSonic / L adapter 6536143	Sirona SiroSonic TL / PerioSonic adapter 6536135	EMS Piezon handpiece adapter 6613538	EMS ultrasonic handpiece adapter 6750090
			
Satelec Slim handpiece adapter 6623438	Satelec Newtron handpiece adapter 6623420	Satelec Newtron LED handpiece adapter 6623446	
			
Adapters for sonic handpieces			
KaVo SONICflex handpiece adapter 6732064			
			

**Adapters for nozzles of powder jet devices and powder jet handpieces**

<p>EMS AIR-FLOW® handy nozzle adapter          6623453</p>	<p>EMS AIRFLOW® nozzle adapter          6623461</p>		
			

**Adapters for attachment of multifunctional syringes**

<p>Sirona Sprayvit nozzle adapter          6536150</p>	<p>Sirona Sprayvit nozzle 4000 adapter          6536168</p>		
